

 *breezefree*

Awnings



breezefree

Folding Arm
Awnings

Contents



Introduction

Our contract range of high quality folding arm commercial awnings are durable and stylish, whether being used for shelter or for advertising.

Modern design and engineering make our commercial awnings attractive and highly functional additions to any establishment, and our broad range accommodates all budgets.

Benefits

- Attract passers by and increase turnover.
- Extend alfresco trading to virtually all year round.
- Increase visibility and raise awareness.
- Enliven any front of house alfresco area.
- Protect customers from the elements.
- Reduce dust and dirt blown into the premises from the street.
- Improve customer privacy and attract families.
- Customise with menu cases and other accessories.





Topas Awnings

Small, compact and variable is the best way to describe this entry model awning. Topas Awnings are available without a hood, making them especially suited for installation under balconies or protruding roofs, or with a ready-mounted aluminium hood for wall mounting.





Topas Awnings

General Features

- Low installation height/depth for Awning Standard with and without hood.
- Extruded top section.
- Beautifully shaped front rail with matching end caps.
- Cast aluminium top plates.
- Gutter incorporated with controlled drain age into the front rail.
- Tilting arm with chain.
- Drop forged arm parts.
- High arm tension and fabric fixing to ensure the fabric is taut.
- Coupled units with jockey cover or sliding support.
- Gutter incorporated into the front rail with controlled drainage.
- Powder coating in 47 standard colours
- Surface permanently resistant to scratching and weather.
- Large selection of fabrics available.

020 8877 3030 • breezefree.com





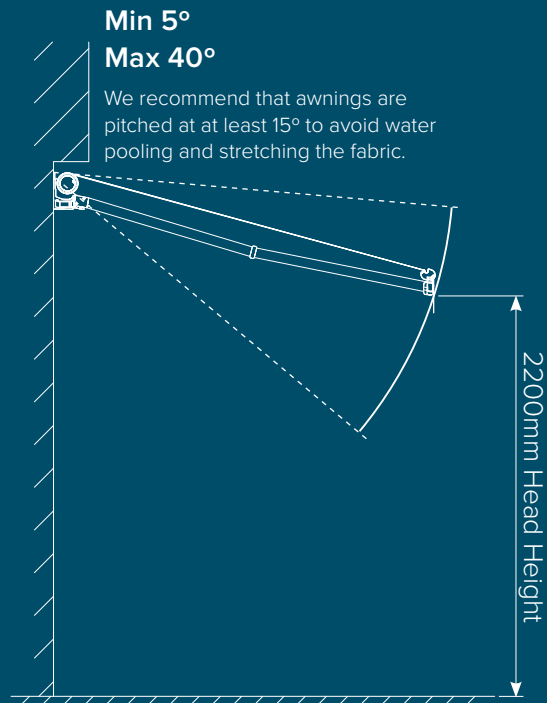
Topas Awnings

Specifications

Width	Number of Sections	Number of Arms	Maximum Projection
up to 6000mm	1	2	????
6010mm - 6500mm	1	2	4000mm
6510mm - 7000mm	1	3	4000mm
7010mm - 12000mm	2	4	4000mm

Cover Fabric Options	Features
Acrylic	Wide selection of unicolour and impregnated watertight striped fabrics.
Polyester	Colour-fast to avoid bleaching in sunlight. More light and wind permeable than acrylic

Drive Options
Crank mechanism
Remote-controlled motor

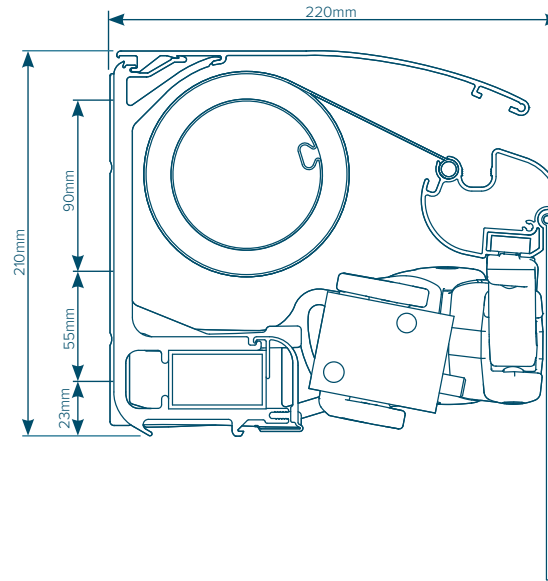




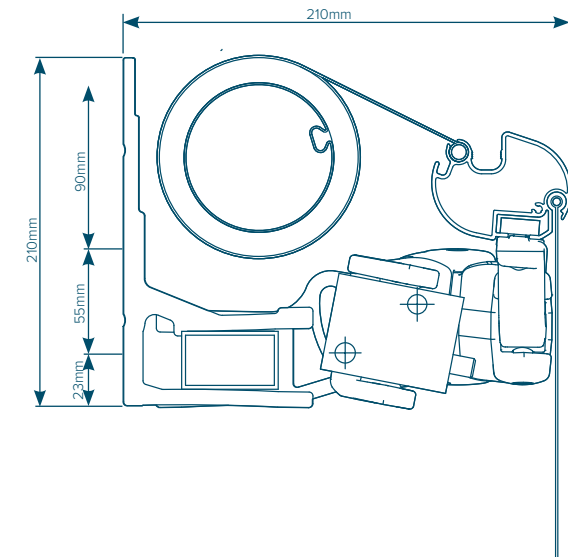
Topas Awnings

Cassette Cross-section

Topas with hood



Topas without hood

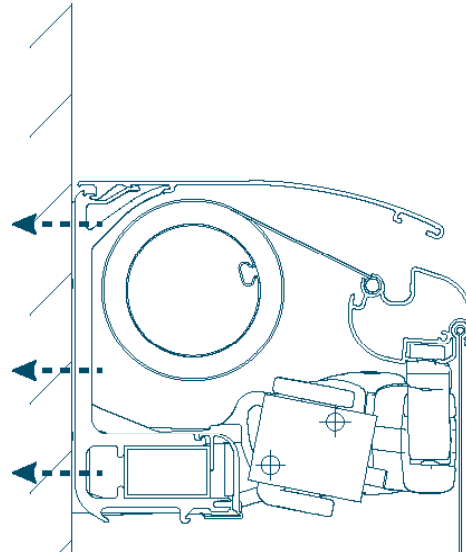




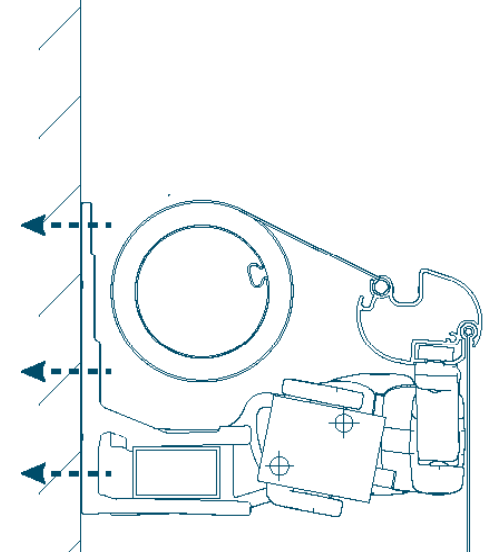
Topas Awnings

Fixing Options

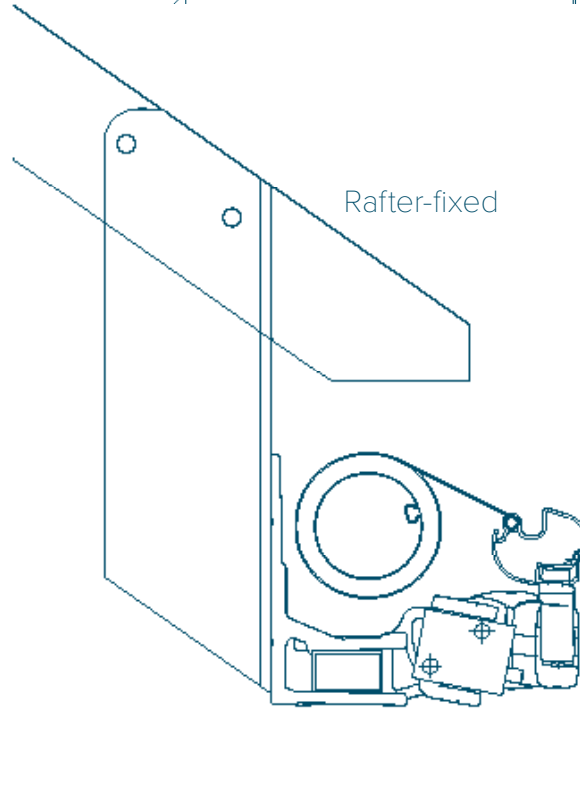
Back fixed - Topas with hood



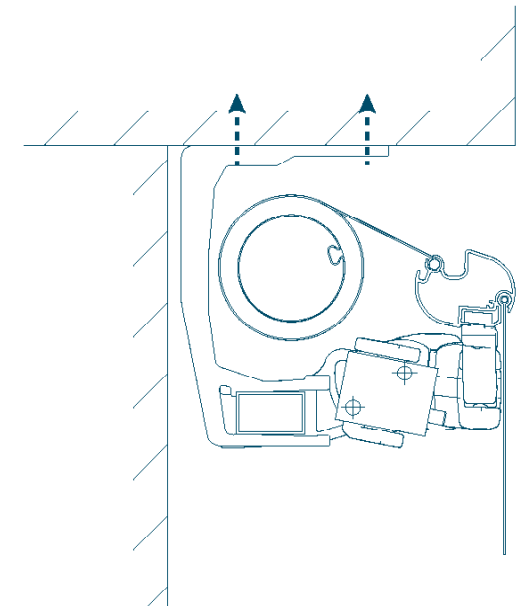
Back fixed - Topas without hood



Rafter-fixed



Top-fixed





Topas Awnings

Metalwork Colours

Standard RAL colours for Topas Awning metalwork. Other RAL colours available upon request.

Please note that these colours are indicative only. For a true colour reference, please consult a RAL swatch book.

Sandy Yellow 1002	Sandy Yellow 1003	Ivory 1014	Light Ivory 1015	Traffic Yellow 1023	Pastel Yellow 1034	Yellow Orange 200	Vermillion 2002
Carmine Red 3002	Magenta Red 3004	Black Red 3007	Blue Lilac 4005	Traffic Purple 4006	Signal Blue 5005	Azure Blue 5009	Pigeon Blue 5014
Water Blue 5021	Night Blue 5022	Pastel Blue 5024	Moss Green 6005	Fir Green 6009	Resesda Green 6011	Black Green 6012	Slate Grey 7015
Anthracite Grey 7016	Black Grey 7021	Stone Grey 7030	Pebble Grey 7032	Light Grey 7035	Quartz Grey 7039	Window Grey 7040	Weinor Grey 7319
Ocher Brown 8001	Clay Brown 8003	Sepia Brown 8014	Mahogany Brown 8016	Chocolate Brown 8017	Black Brown 8019	Weinor Dark Brown 8077	Cream 9001
Jet Black 9005	White Aluminium 9006	Grey Aluminium 9007	Pure White 9010	Traffic White 9016			



1500 Awnings

1500 Awnings have a stylish, unique form which has won it the IF Product Design Award. They boast gas piston-tensioned arms to ensure a taut fabric canopy and are easily adjustable to provide full, or partial cover to most areas.





1500 Awnings

General Features

- Semi-cassette folding arm awning. The dynamically rounded coverboard gives the awning the appearance of a full cassette.
- Aluminium front profile with optional valance.
- Ovoid folding arms with unique gas piston technology ensure a taut cover in every extended position.
- Sturdy, round steel torque bar, 50 mmØ, to prevent twist and deflection.
- Folding arms with drop-forged joint components and Teflon-coated bronze bushes, which provide superior robustness and durability.
- Coverboard with integrated brush, so that larger pieces of debris cannot be drawn into the awning.
- Awning covers made of acrylic fabric or sunsilk snc with self-cleaning effect.
- Powder coating in 7 standard colours.
- Large selection of fabrics available.

020 8877 3030 • breeze-free.com





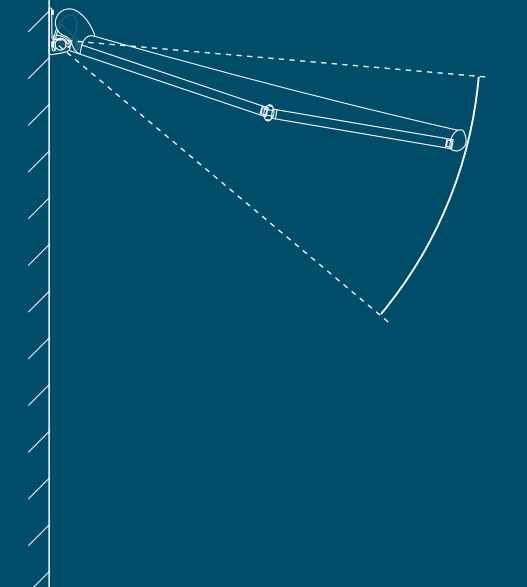
1500 Awnings

Specifications

Min 5°

Max 40°

We recommend that awnings are pitched at at least 15° to avoid water pooling and stretching the fabric.



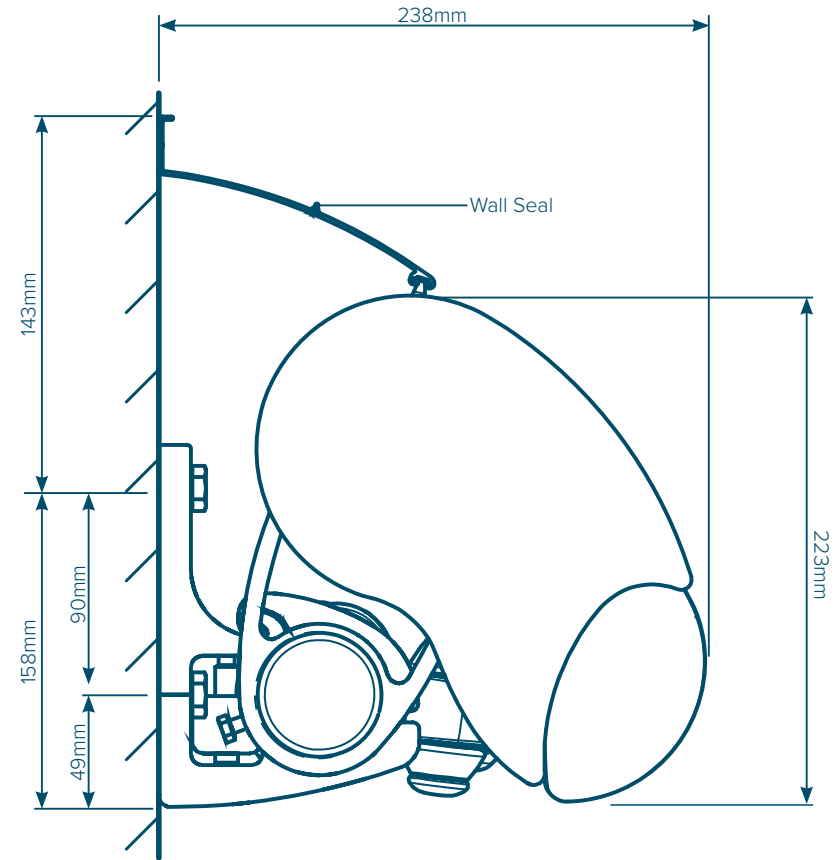
Width	Maximum Projection
1930mm - 2600mm	2000mm
2610mm - 3100mm	2500mm
3110mm - 3600mm	3000mm
3610mm - 6100mm	3500mm
6110mm - 6600mm	3000mm

Cover Fabric Options	Features	Limitations
Sunsilk		
Acrylic 34		
Widely woven acrylic		Up to 3000mm projection, 5600mm width
Soltis 92		Up to 2500mm projection, 6100mm width
PVC Fabric		Up to 2500mm projection, 6100mm width



1500 Awninas

Cassette Cross-section

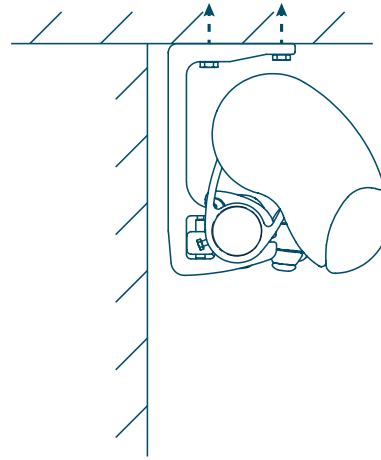




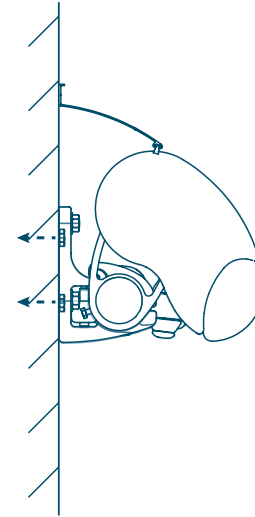
1500 Awninas

Fixing Options

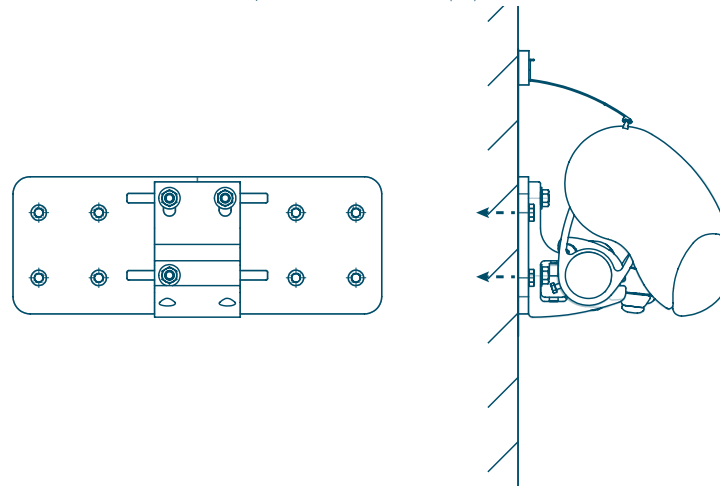
Top Fixed



Back Fixed



Back Fixed with Spreader Plate (A)

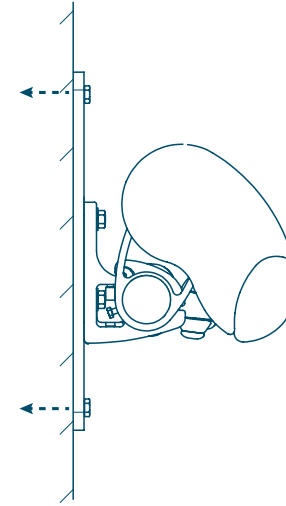
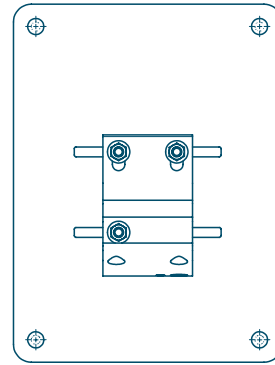




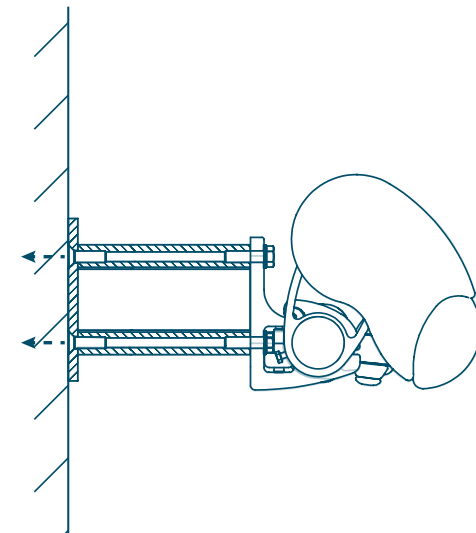
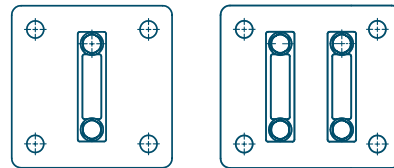
1500 Awnings

Fixing Details

Back Fixed with Spreader Plate (B)



Back Fixed Stand-Off Bracket



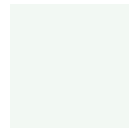


1500 Awnings

Metalwork Colours

Standard RAL colours for 1500 Awning metalwork. Other RAL colours available upon request.

Please note that these colours are indicative only. For a true colour reference, please consult a RAL swatch book.



Traffic White
9016



White Aluminium
9006



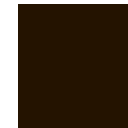
Light Ivory
1015



Off-white,
textured
Finish
5233



Anthracite
Metallic
5204



Black
Brown
8019



Stone
Grey
Metallic
5215



Canopy Colours

With a wide range of fabric colours, Folding Arm Awnings can be customised to create an eye-catching splash of colour, compliment an existing theme or enhance an outdoor area.





Branding

Breezefree's print department will ensure that your parasols project your image effectively. The possibilities are almost limitless, from simple logos through to large, complex designs.





Remote Control

Folding Arm Awnings can be manually operated or motorised and extended/retracted via remote control.

A single remote control can be programmed to control multiple awnings.





Heating

Infrared or lightless ceramic heaters can be installed under most Folding Arm Awnings.





Lighting

Lighting can be incorporated into the front profile of some Folding Arm Awnings.

Strip lighting can also be installed underneath the awning cassette to light up the alfresco area or the underside of the cover





 breezefree

Victorian
Awnings

Contents



Introduction

Victorian pull-out awnings are built in the same way as they were in Victorian times, using Douglas Fir timber and wall mounted slides and arms.

They are the classic choice for listed buildings and premises with traditional facades.



General Features

- Operational in winds of up to Beaufort Force 7.
- Warranted for up to 2 years.
- Up to 3m projection x 6m width giving 18sqm cover.
- Wide choice of plain and patterned fabrics with optional valances.
- UV and water resistant canopy fabrics and valances can be printed on one or both sides with any branding or design.





Woodwork Colours

The awning roller housing and wooden lath can be painted with any standard paint suitable for outdoor use. Opposite are just a few colour suggestions.

Please note that these colours are indicative only. For a true colour reference, please contact us for a swatch or sample.





Canopy Colours

With a wide range of fabric colours, Folding Arm Awnings can be customised to create an eye-catching splash of colour, compliment an existing theme or enhance an outdoor area.





Branding

Breezefree's print department will ensure that your parasols project your image effectively. The possibilities are almost limitless, from simple logos through to large, complex designs.





Unit 7 Mitcham Industrial Estate
Streatham Road
Mitcham
CR4 2AP

020 8877 3030 • breezefree.com

