



 breezefree



Louvres

Contents

- 3 Introduction
- 4 Sizes & Specifications
- 5 Fabric Canopies
- 6 Canopy Colours
- 7 Branding
- 8 Base Options
- 9 Heating
- 10 Lighting
- 11 Gutters
- 12 Sidesheets



Introduction

As an intermediate solution between glazed conservatories and conventional canvas style awnings, Louvred Roofs provide unrivalled solar shading, snow loading and waterproofing and are ideal where a robust modern slim line look is desired.



Benefits

- Unique architectural roof.
- Very low maintenance adjustable covering solution.
- Extremely robust aluminium construction tolerates winds in excess of Hurricane Force 12.
- Dry and draught-free sun, rain and snow cover for virtually any space or climate.
- Guarantee uninterrupted use of outdoor space, whatever the weather or time of year, when used with the various partitioning and enclosure systems.
- Aspirational ambient and feature lighting available.
- Pre-programmable automatic push-button louvre, lighting and heating operation.
- Extensive colour range available.
- A versatile solution for operators seeking adaptability to boost all year round incomes.



Features

- Manufacturers 10 year aluminium and 3 year motor and electronics guarantee.
- Heavy duty aluminium structure with surface water run-off contained within the frame and stanchions.
- Motorised operation with wind/rain/sun sensing options.
- Coupled modules open-up possibilities for separate function rooms using Enclosure Options below as room dividers.
- Non-drip profile Louvre extrusions with integrated brush for 100% draft exclusion.
- Free standing, wall and cantilever installation.
- Available in any polyester powder coated RAL colour plus frosted matte, sand grain, wood hues etc.
- Separate frame and louvre colour options available.
- Integrated 8 colour up and/or down-lighting options.





Specifications

- Warranted to 140km/hr wind speeds.
- Snow loading from 35Kg/m² - 70Kg/m², with louvres closed, subject to louvre length - equivalent to 30cm - 60cm depth of freshly fallen dry snow.
- Integrated drainage system discharges surface water at a maximum 585 litres per minute flow rate.
- 17.5cm wide Louvres with 0-180° tilt adjustment.
- 18 x 15cm wide perimeter beam.
- 12 x 12cm or 15 x 15cm stanchions.

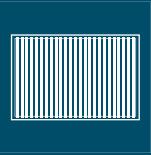




Sizing

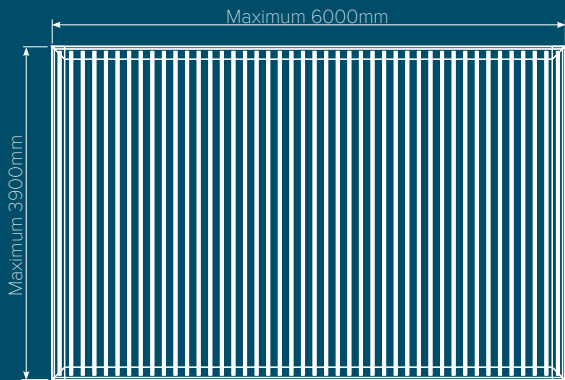
- Maximum 6 x 6m free-standing single module with 4 stanchions (with intermediate louvre support - maximum 4m unsupported louvre length).
- Maximum 6 x 4m free-standing single module with 4 stanchions (without intermediate louvre support).



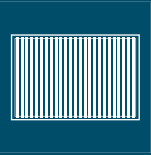


Single Bay

The table opposite shows possible double bay combinations using standard slat and beam lengths.

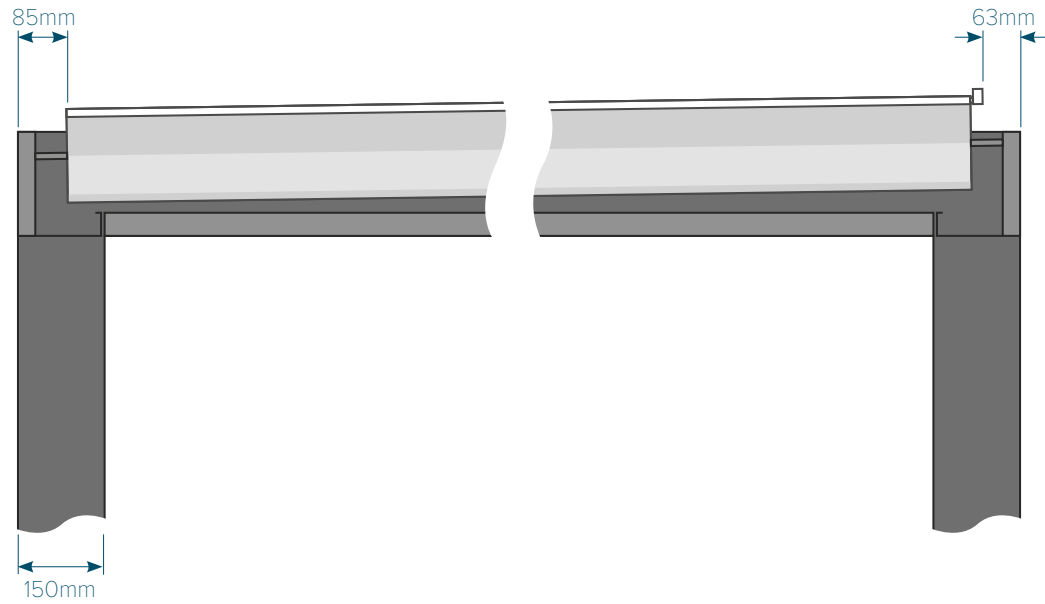


Area covered (m ²)		Length (mm)				
		3000	3300	3600	3900	
Width (mm)	Slat Length (mm)					
	2830	3130	3430	3730		
	3000	9m ²	9.9m ²	10.8m ²	11.7m ²	
	3300	9.9m ²	10.9m ²	11.9m ²	12.9m ²	
	3600	10.8m ²	11.9m ²	13m ²	14m ²	
	3900	11.7m ²	12.9m ²	14m ²	15.2m ²	
	4200	12.6m ²	13.9m ²	15.1m ²	16.4m ²	
5100	15.3m ²	16.8m ²	18.4m ²	19.9m ²		
6000	18m ²	19.8m ²	21.6m ²	23.4m ²		

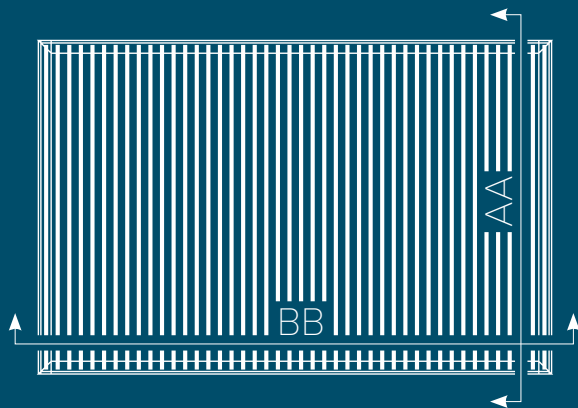
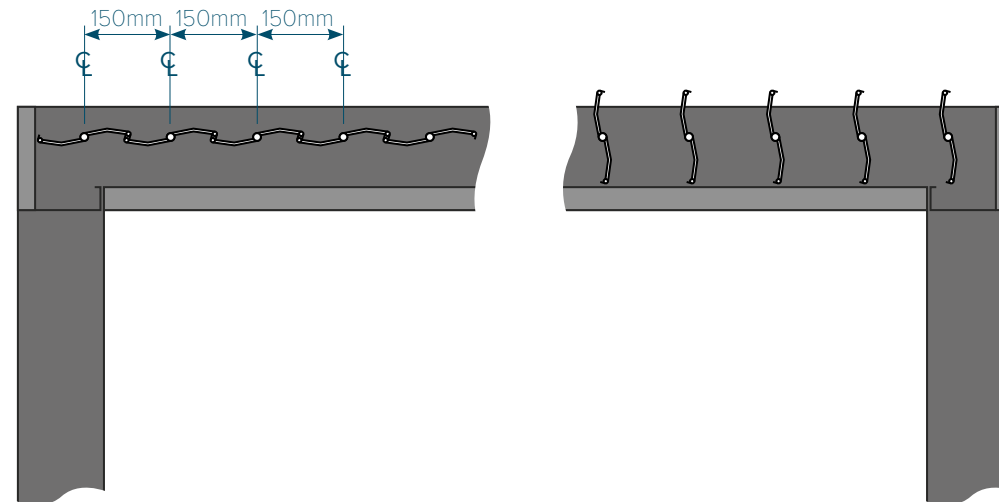


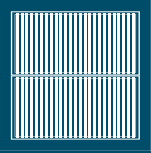
Single Bay Details

Section Drawing AA



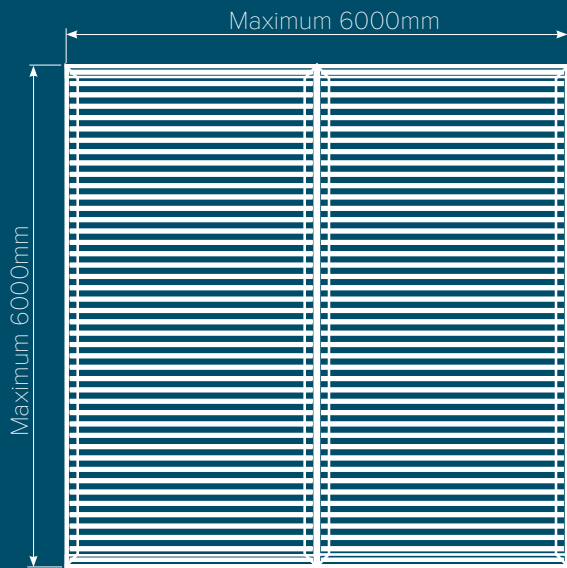
Section Drawing BB



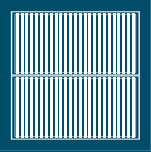


Double Bay

The table opposite shows possible double bay combinations using standard slat and beam lengths.

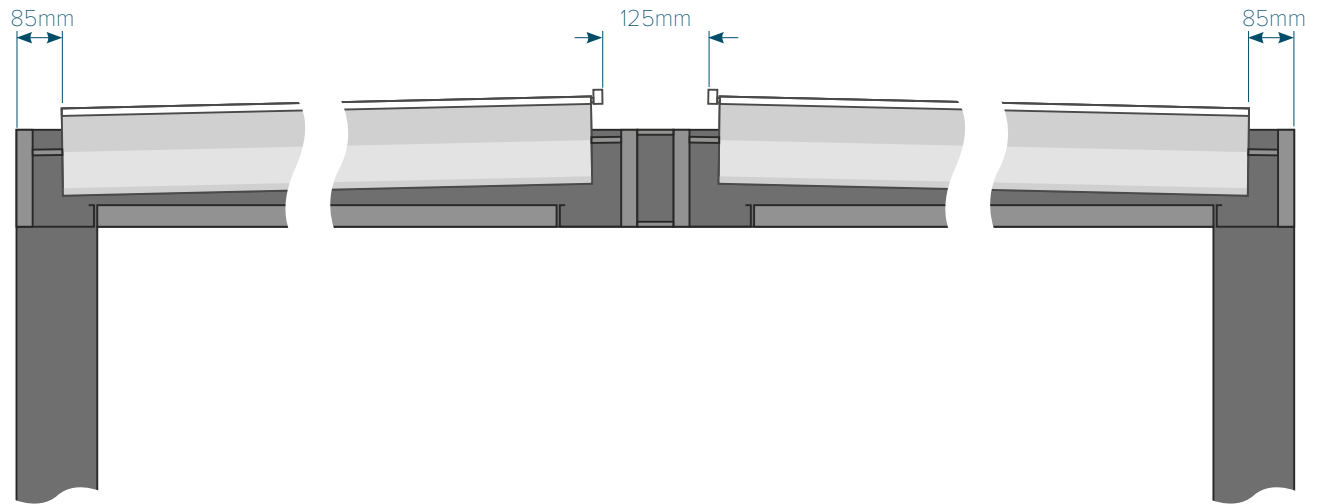


		Length (mm)	
		5100	6000
		Slat Length (mm)	
		2380 x 2	2830 x 2
Width (mm)	3000	15.3m ²	18m ²
	3300	16.8m ²	19.8m ²
	3600	18.4m ²	21.6m ²
	3900	19.9m ²	23.4m ²
	4200	21.4m ²	25.2m ²
	5100	26m ²	30.6m ²
	6000	30.6m ²	36m ²

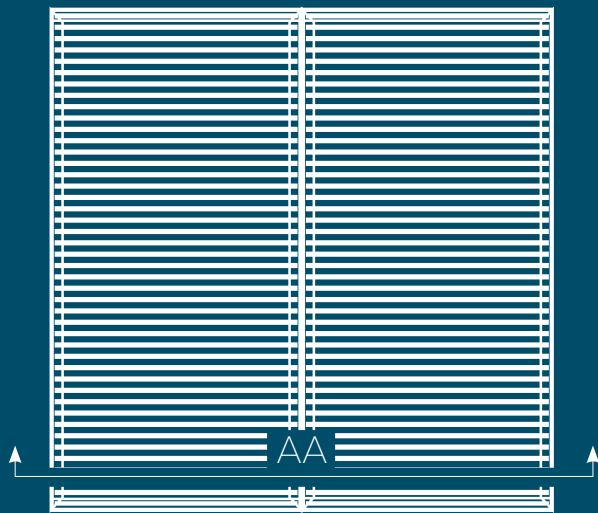
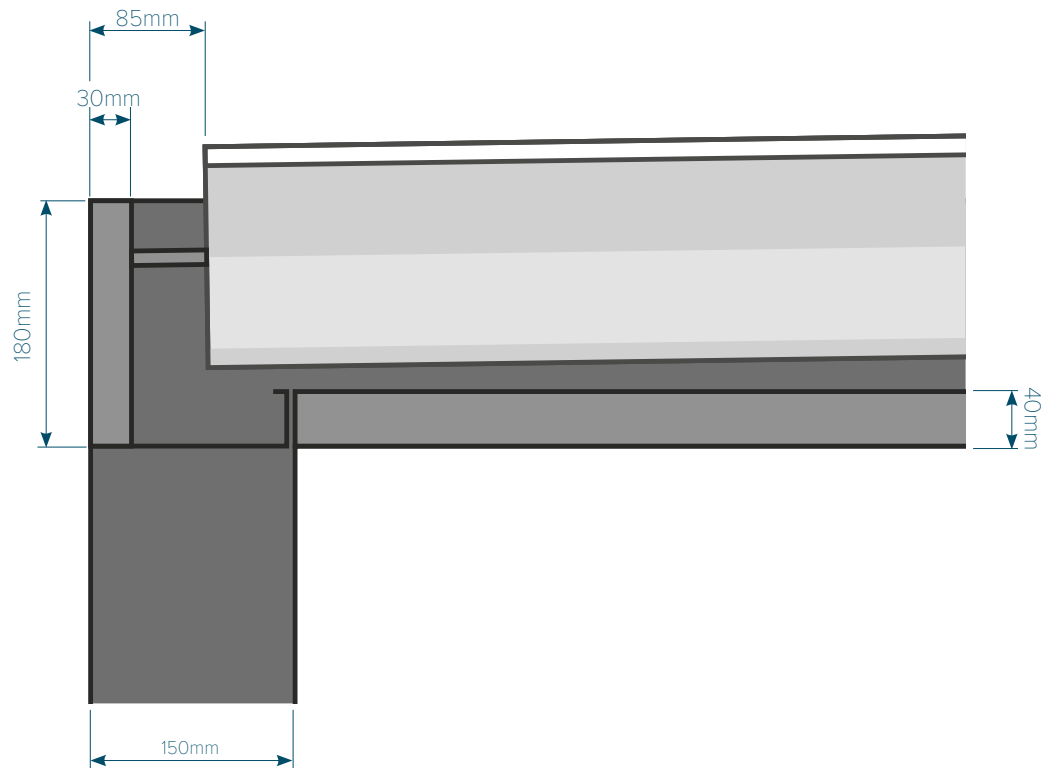


Double Bay Details

Section Drawing AA



Section Detail





Heating

Infrared Heating

Our range of IR heaters help make outdoor spaces more comfortable throughout the whole year. IR heaters can be fixed to the supporting stanchions of the Louvred roof or to the underside of the beams via bespoke brackets.

Lightless Heaters

Lightless heaters emit high intensity radiant heat which is extremely effective and energy efficient when used in reduced-draft exterior environments. Lightless heaters are best installed on the underside of the beams of the Louvred Roof Structure.





Lighting

LED Up-Lighting

Ideal for adding that luminous decoration touch, this type of RGB lighting works with the Louvred Roof's remote control to vary the intensity and colour.

Recessed Lighting

Fitted with 3x1W monochrome power LEDs and 38° beam lenses, these lights can also be set vertically. They are adjusted with the remote control.





Enclosure Options

- Sliding or Bi-folding glazed doors.
- Removable or fixed part or full height SmartScreens™ with flexible or rigid panels, including safety glass.
- Full or part-height Rigid Terrace Screens.
- Manual or motorised full-height Rising Screens.
- Manual or motorised Vertical Blinds, with Marine grade PVC Clearview windows.





Remote Control

This multifunction controller provides slat opening, lighting, and heating controls.





Custom Fittings

Whatever the contract environment, be it a hotel, restaurant, pub, bar, café, school, care home or a larger development such as a shopping centre, town centre or transport terminal, Breezefree's versatility is second to none.

Custom screens or blinds can be integrated into our Louvred Roof Structures, as can accessories such as outdoor TVs and speakers. We pride ourselves in being able to fulfil almost any conceivable application or design brief.





Unit 7 Mitcham Industrial Estate
Streatham Road
Mitcham
CR4 2AP

020 8877 3030 • breezefree.com