



BARRIERS | *Kinetic*

 **breezefree**

CONTENTS

4	Introduction
8	F Series
10	F Series Specifications
11	F Series Configuration
12	FC Model Dimensions
13	FB Model Dimensions
14	G Series
16	G Series Dimensions
17	G Series Models

INTRODUCTION

BARRIERS | *Kinetic* are vertically retracting glass balustrade & window systems. Kinetic systems provide all the benefits of a glass balustrade with added protection from wind and rain when needed. The upper panels pull down easily and close automatically with a simple touch.

The Panora Kinetic is perfect for enclosing an alfresco space on the ground or as a balcony railing on a terrace.







The F Series **BARRIERS | *Kinetic*** sliding glass system functions much like a standard screen or barrier system and are designed to stand freely, rather than enclosing a surrounding structure.

The F series comes in two models:

- FC - anchored to the ground.
- FB - weighed down with a flower box, creating a semi-permanent system.

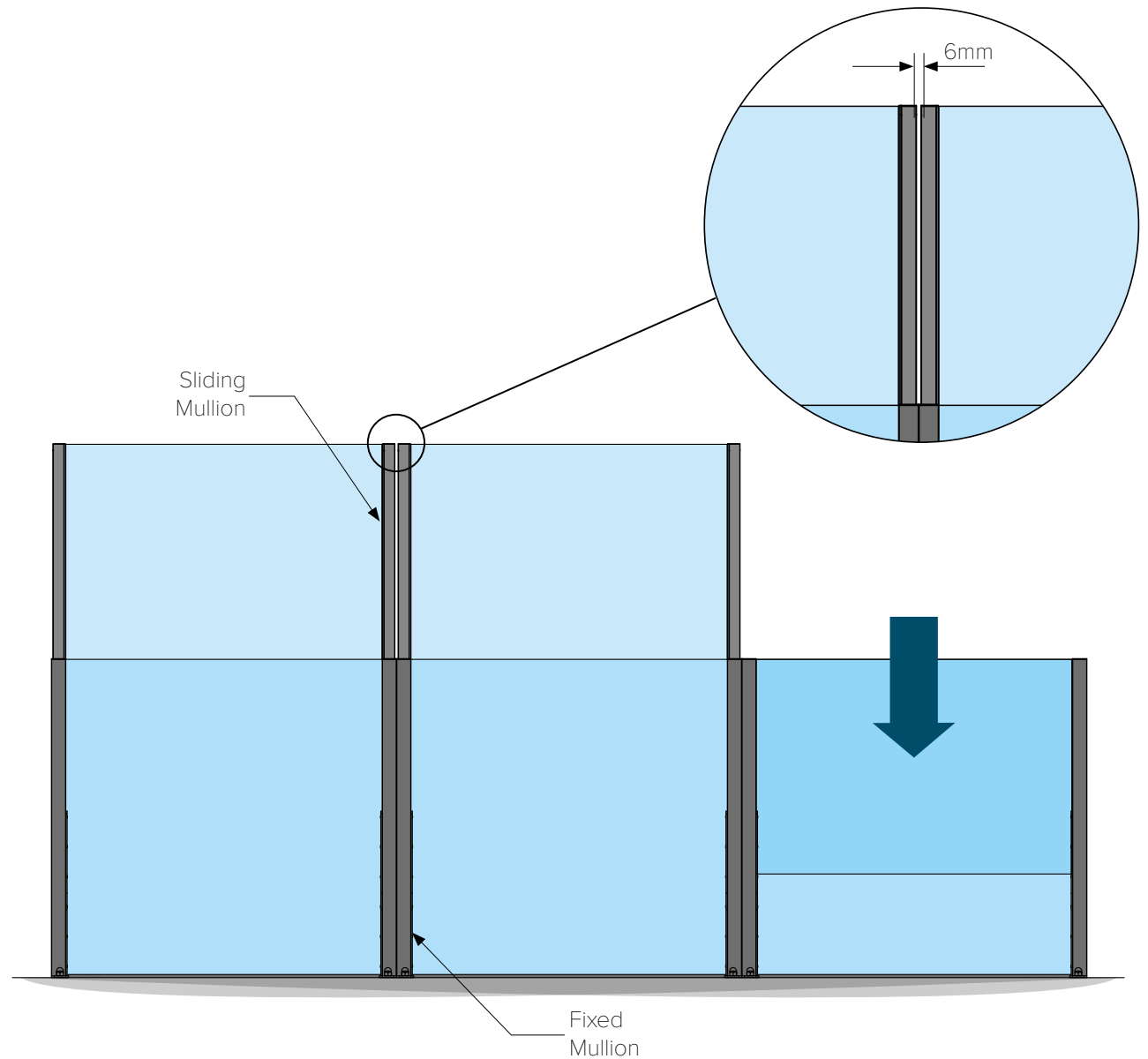


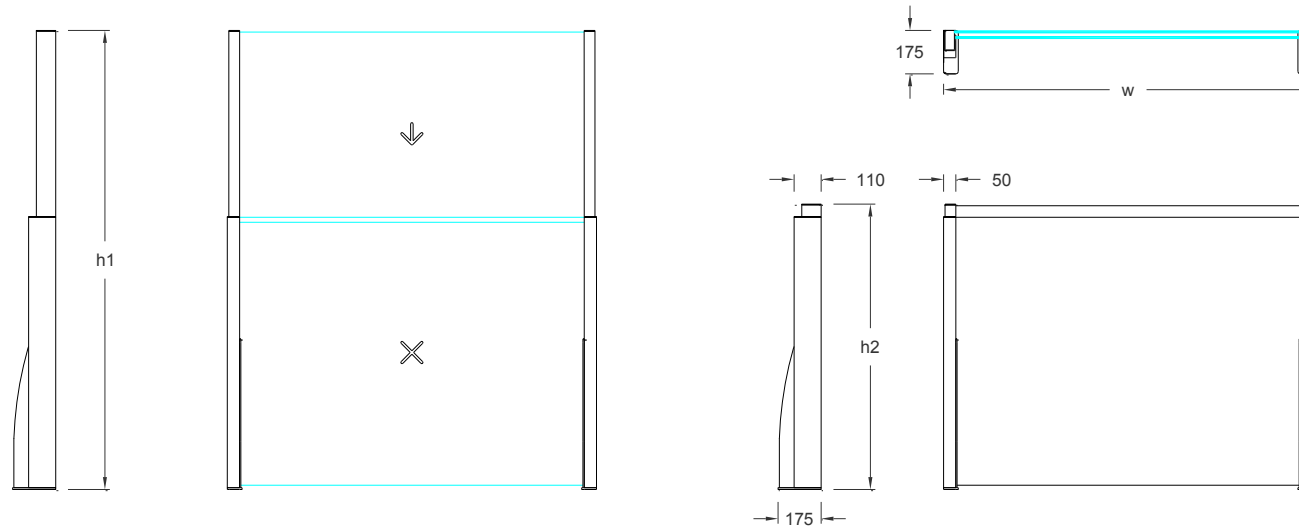


Structural Material	AA 6063-T6
Glazing	6mm tempered glass (clear, bronze or grey)
Standard Colours	RAL 9005 (Black)
	RAL 9010 (White)
	RAL 1019 (Beige)
Piston Pressure	Max. 21 bar, self-locking, site serviceable to meet spans for optimum operational ease.
Max Wind Speed (FC model only)	120km/h (extended)
	180km/h (retracted)
Weight	30.3 kg (width: 800mm) - 49.6 kg (width: 1500mm)

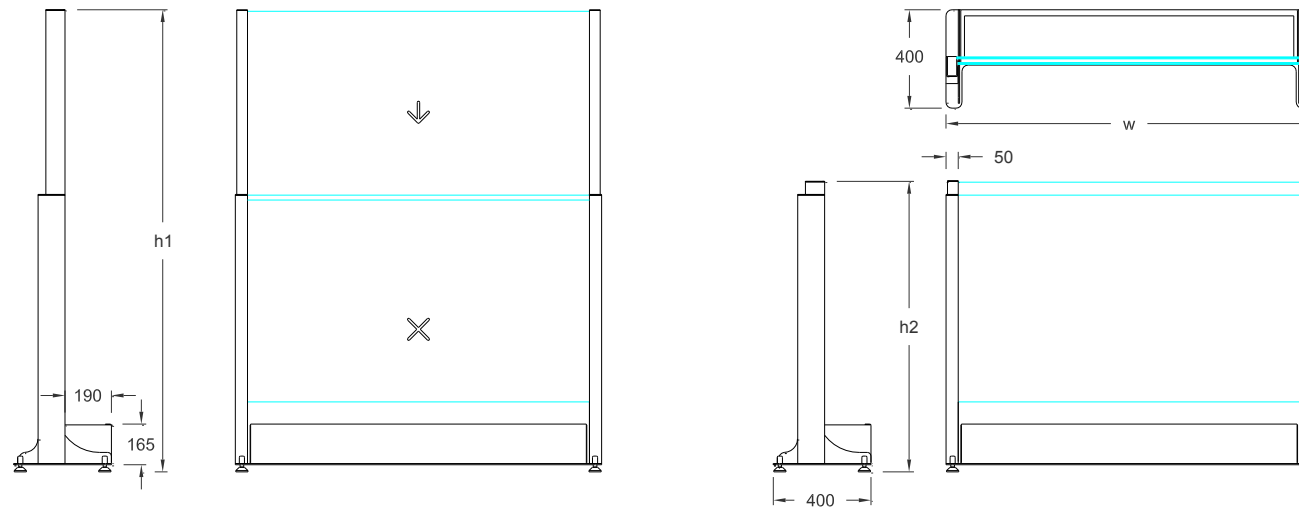
When installed side-by-side, the fixed mullions sit up tight against one another.

When raised, there is a 6mm gap between the two sliding mullions.





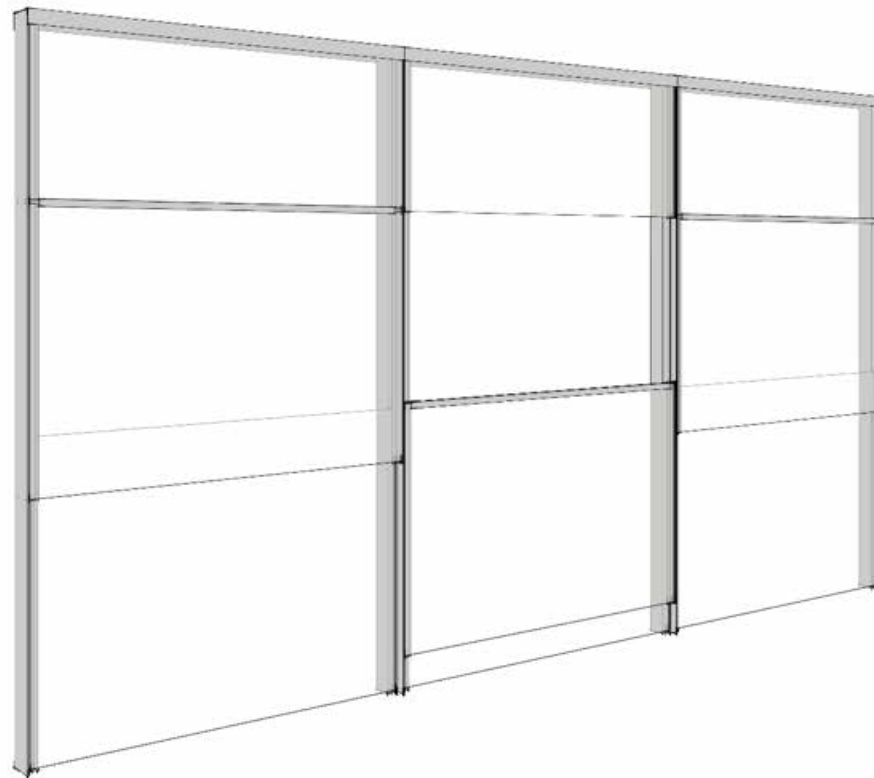
Width (w)	800 - 1500mm
Extended Height (h1)	1850mm
Retracted Height (h2)	1150mm
Fixed Profile Dimensions	110 x 50mm
Retractable Profile Dimensions	78.5 x 43.5mm



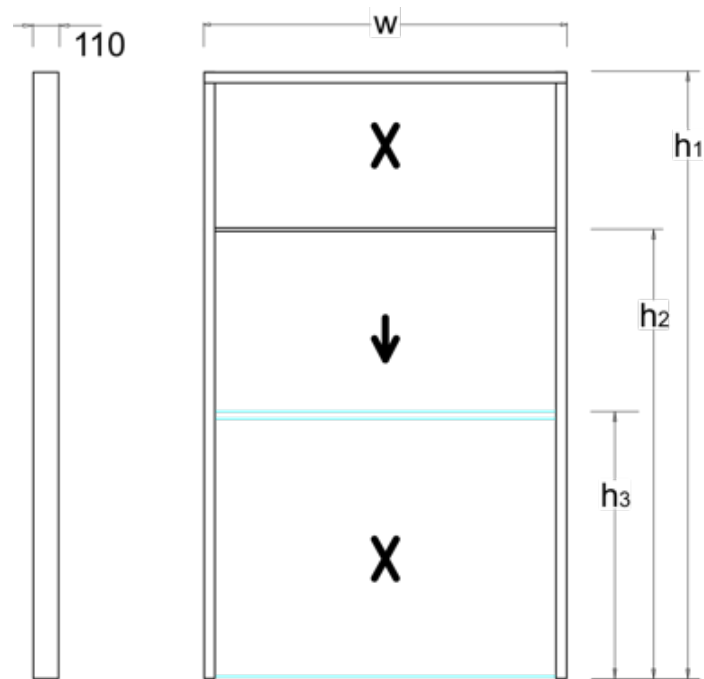
Width (w)	800 - 1500mm
Extended Height (h1)	1850mm
Retracted Height (h2)	1150mm
Fixed Profile Dimensions	110 x 50mm
Retractable Profile Dimensions	78.5 x 43.5mm

The G Series **BARRIERS | *Kinetic*** sliding glass system is designed to be installed in an existing structure such as a pergola.

With fixed glass panels at the top and bottom, its maximum height is 2.5 metres, ensuring complete enclosure for most spaces.

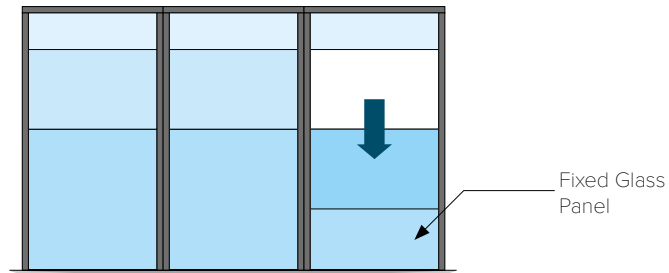


Structural Material	AA 6063-T6
Top Glazing	6mm tempered glass
Bottom Glazing	6mm tempered glass (6=4mm laminated glass optional)
Piston Pressure	Max. 21 bar
Max Wind Speed (FC model only)	120km/h (extended)
	180km/h (retracted)
Weight	48.5 kg (width: 800mm) - 73.5kg (width: 1500mm)

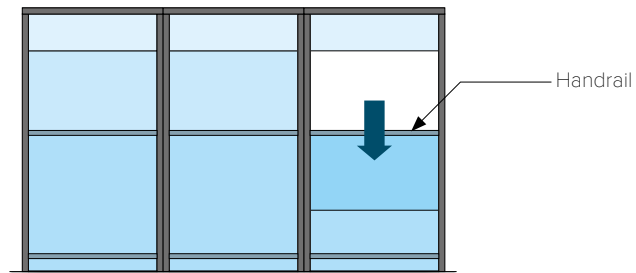


Width (w)	800 - 1500mm
Extended Height (h1)	2000 - 2500mm
Moving Glass Height (h2)	1850m
Balustrade Height (h3)	1100mm
Profile Width	50mm
Profile Depth	110mm

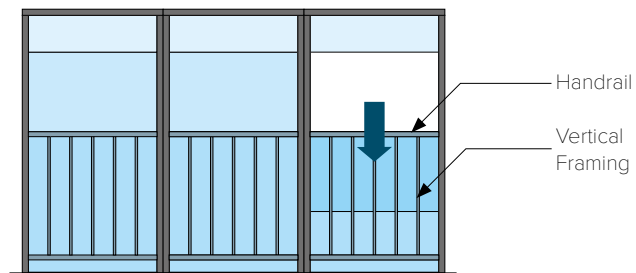
MODEL G



MODEL GB



MODEL GF





Unit 7 Mitcham Industrial Estate
Streatham Road
Mitcham
CR4 2AP

+44 (0)20 8877 3030 | [breezefree.com](https://www.breezefree.com)