

LOUVRE | sl

 breezefree



# CONTENTS

4	Gallery
8	Standard Features
9	Optional Features
10	Blade Opening
12	Dimensions
14	Blade Load Capacity
15	Wall Mounting
16	Foot Mounting

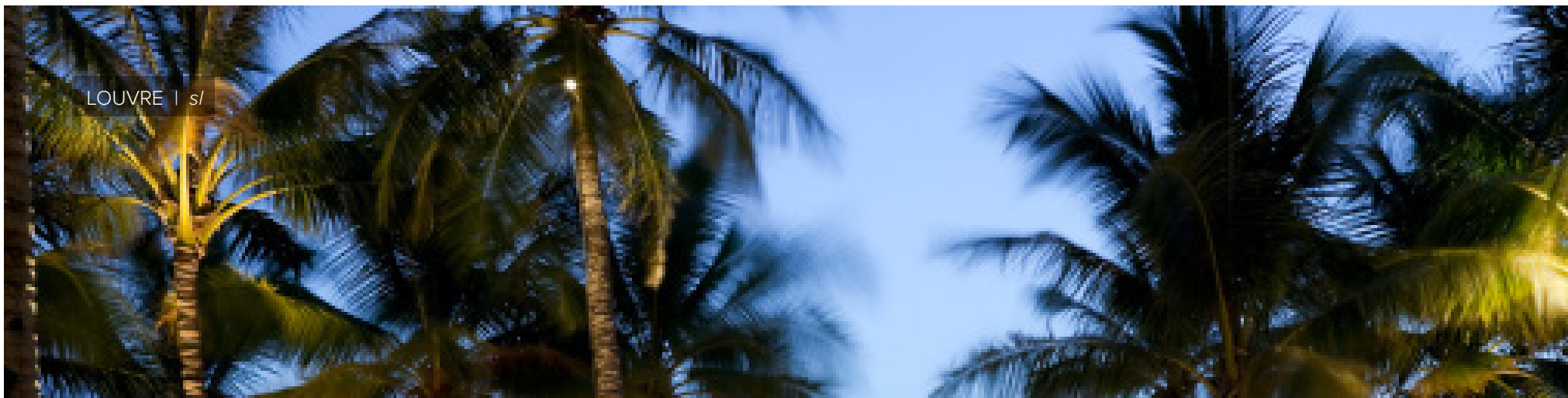
LOUVRE | s/



LOUVRE | s/



LOUVRE | *si*



LOUVRE | s/

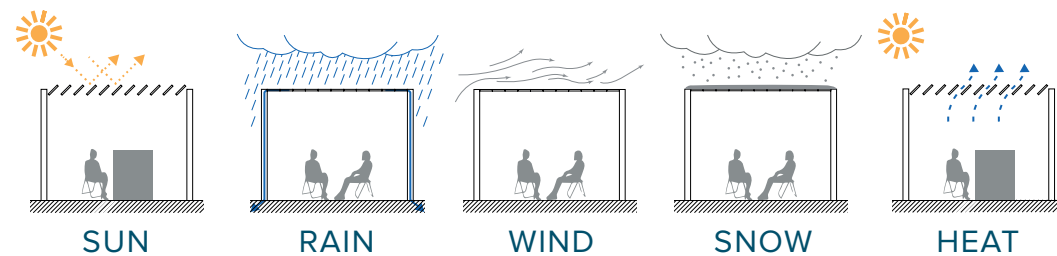


Breezefree Louvres are perfect for covering large areas such as restaurants, exhibition spaces, terraces in front of hotels and playgrounds.

**LOUVRE | s/** is designed to perfectly fit into the surrounding area. Its rotating blades can be closed to help keep heat in and rain out or opened to allow cool air and sunlight into the space.

The **LOUVRE | s/** can be equipped with all the accessories our other Louvres can take advantage of - such as lighting, heaters and vertical blinds - making it the premium choice in Louvred Roof Structures.

### PROTECTION FROM:

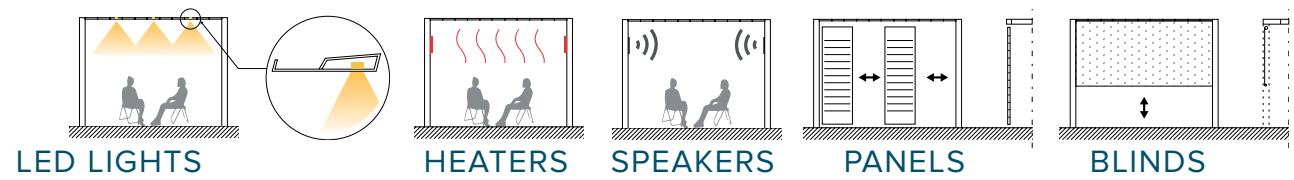


- Excellent balance of sun and shade.
- Aesthetically pleasing contemporary design with clean lines.
- Exceptionally strong with a long lifespan.
- Invisible mounting.
- Motor incorporated within the frame.
- Screws and pins in full stainless steel.
- Aluminium profiles.

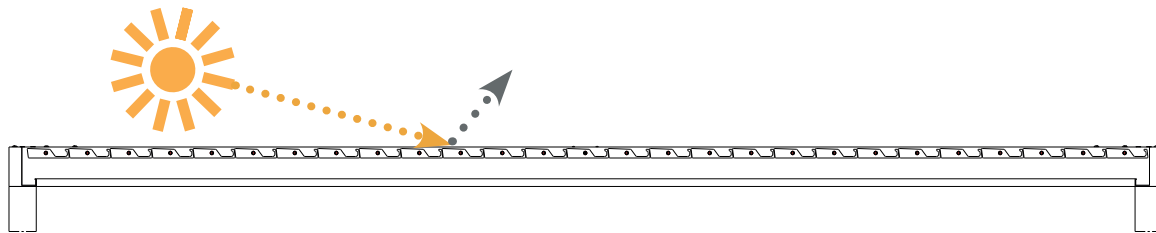


## OPTIONAL FEATURES

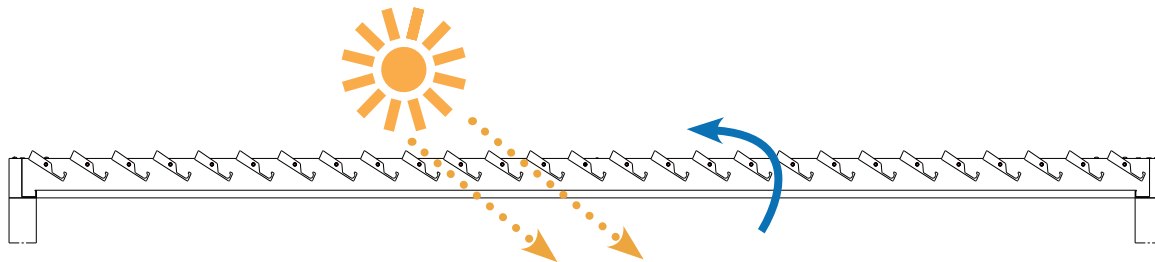
---



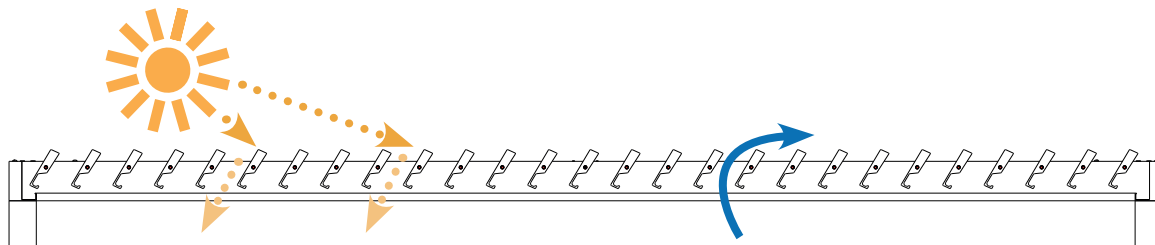
- Numerous additional options.
- LED lights incorporated into the blades.
- Wind, rain, snow and temperature sensors.
- Heaters.
- Sliding panels, vertical blinds.
- Perfectly adapted to your needs.



REFLECTED LIGHT



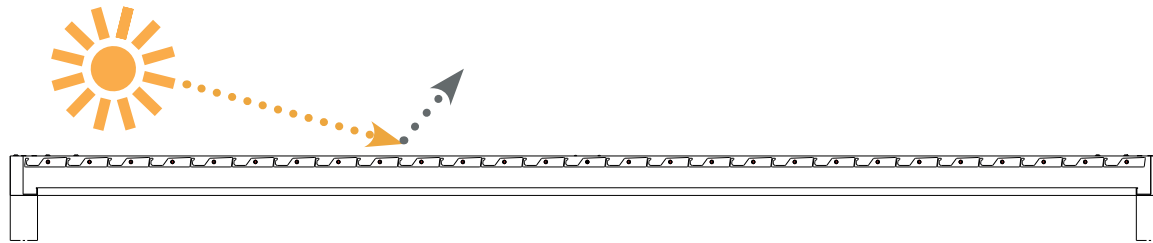
DIRECT LIGHT



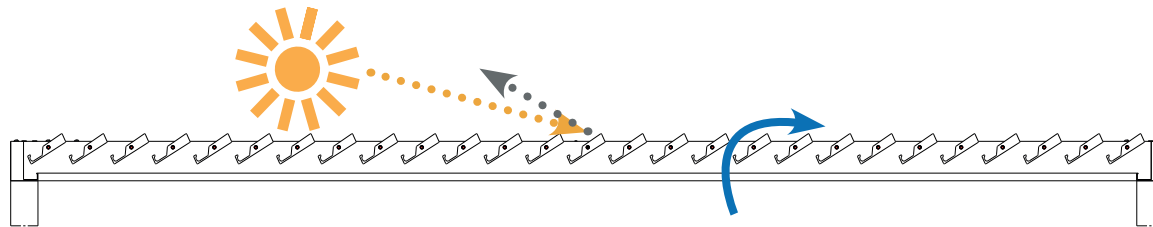
INDIRECT LIGHT

# BLADE OPENING | B

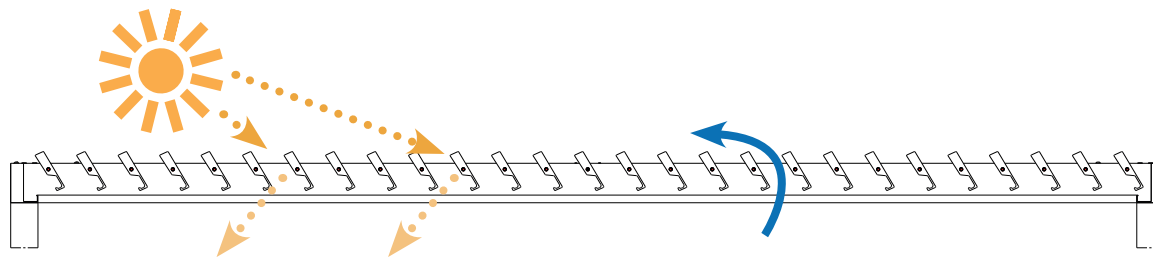
---



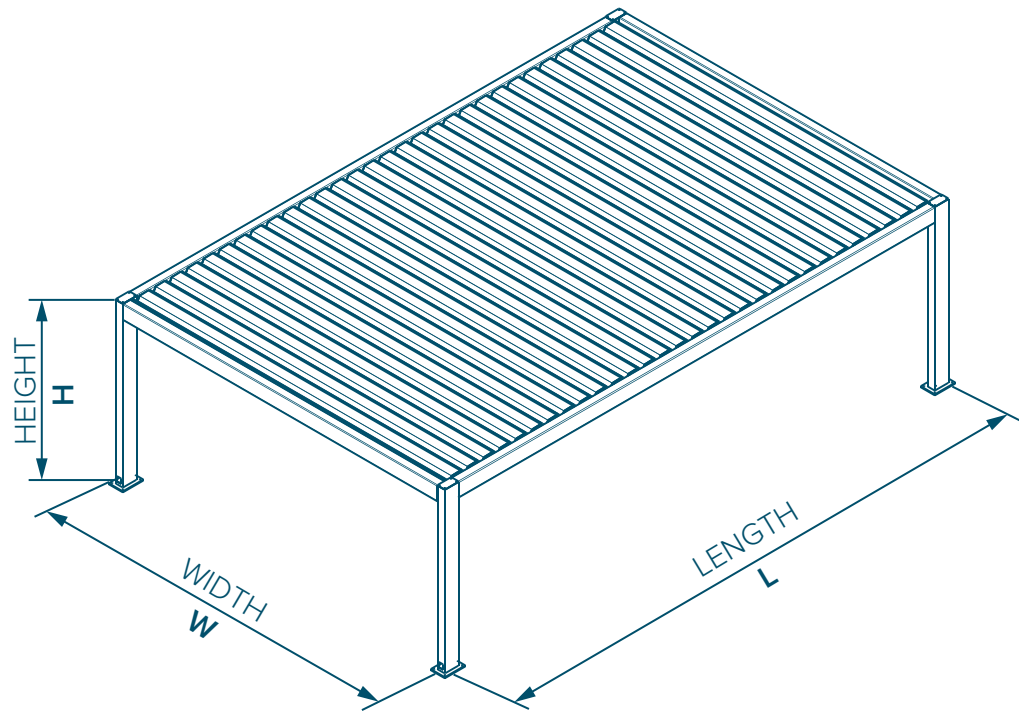
REFLECTED LIGHT



DIRECT LIGHT



INDIRECT LIGHT

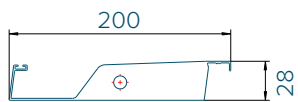
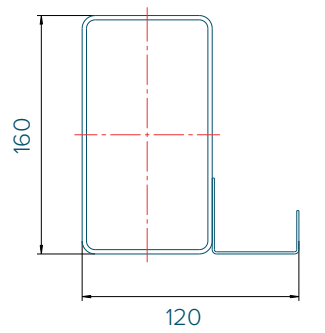


	Max W	Max L
160/28	4m	6m
170/28	4m	7m
170/36	5m	7m

---

160/28

FRAME

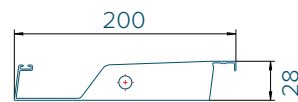
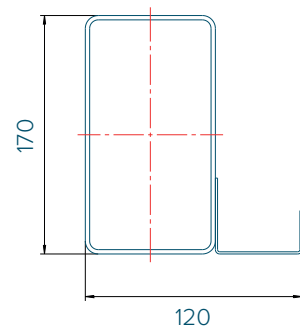


BLADE

---

170/28

FRAME

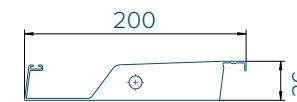
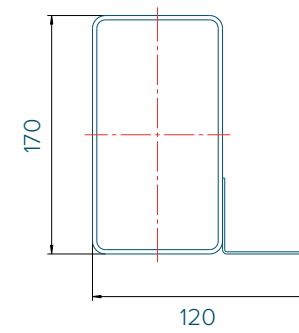


BLADE

---

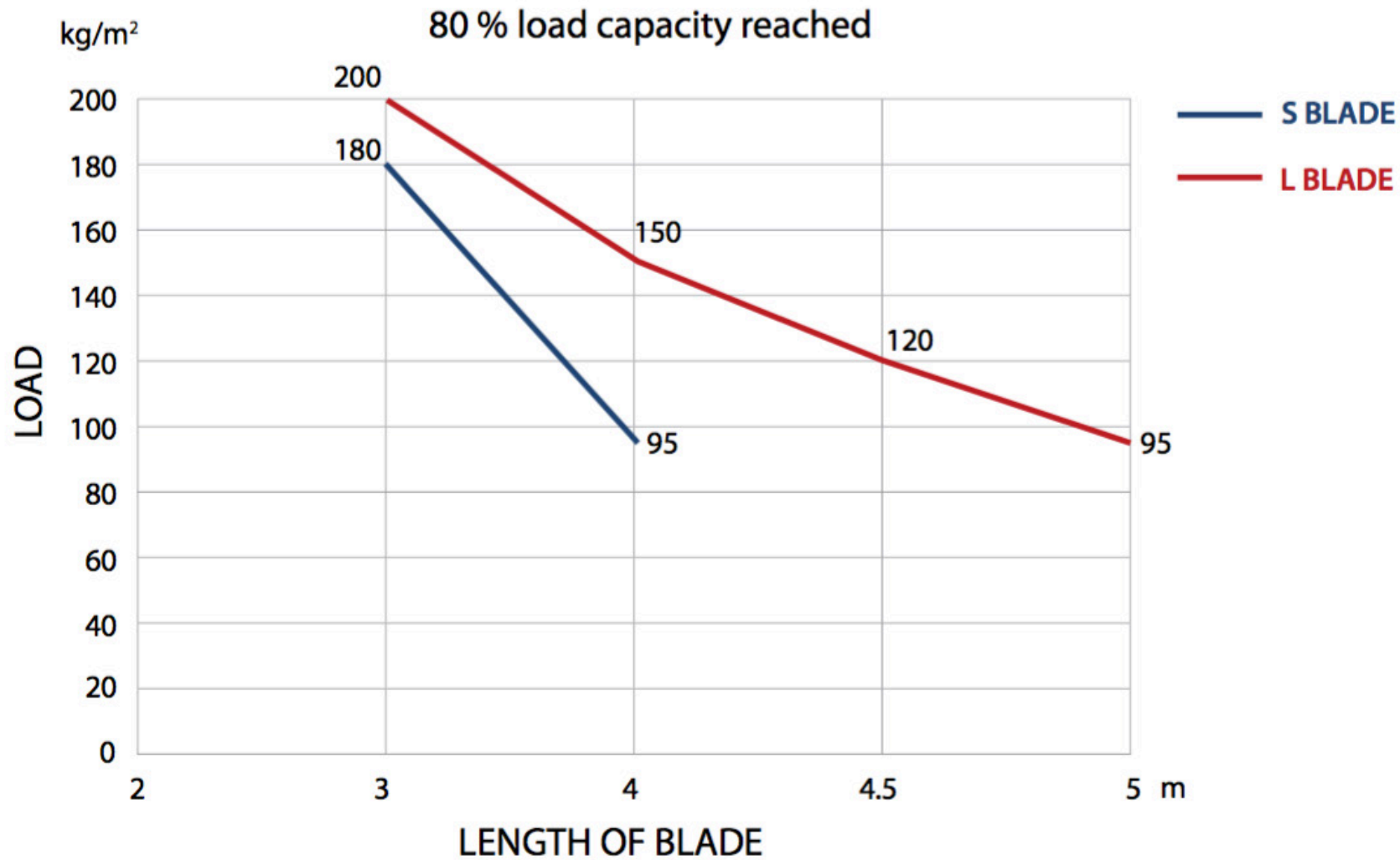
170/36

FRAME

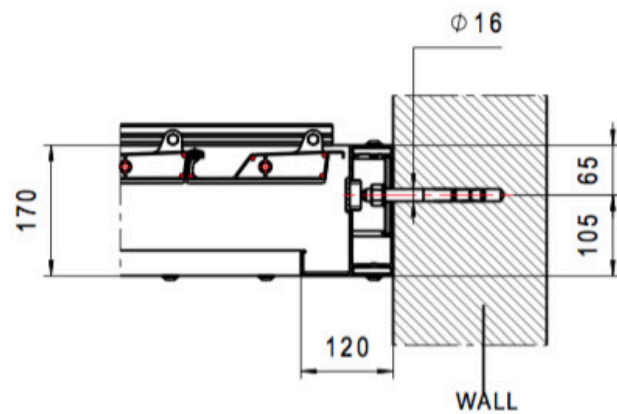


BLADE

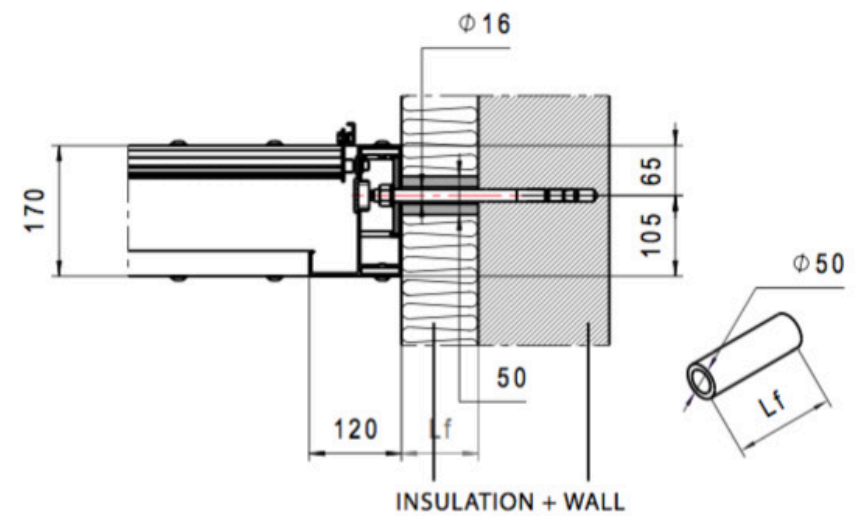
Maximum possible load:

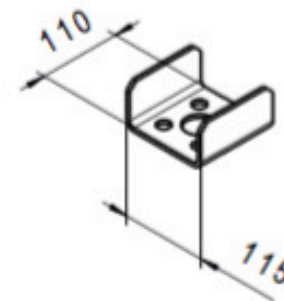
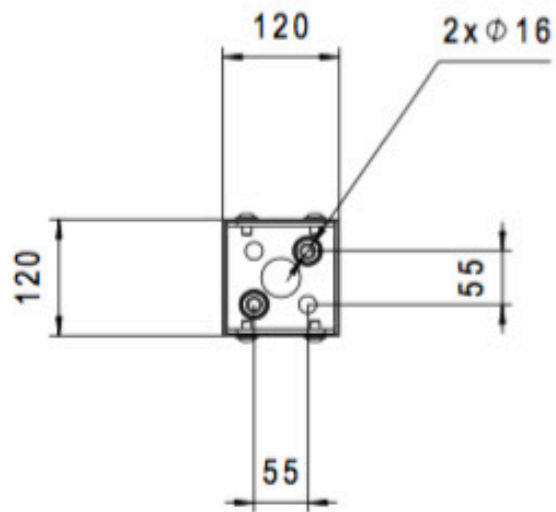
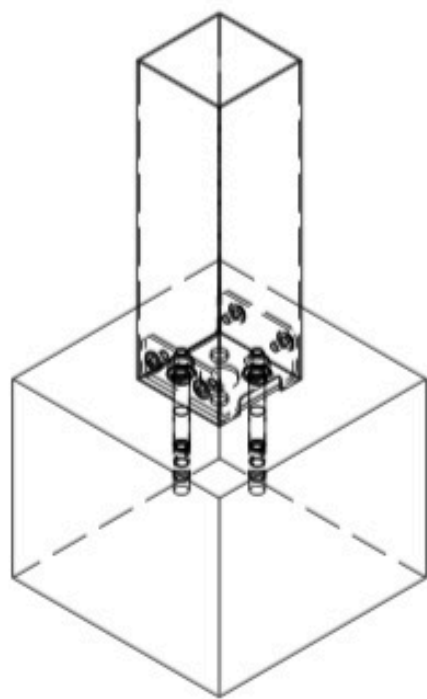


STANDARD WALL MOUNTING



OPTIONAL WALL MOUNTING

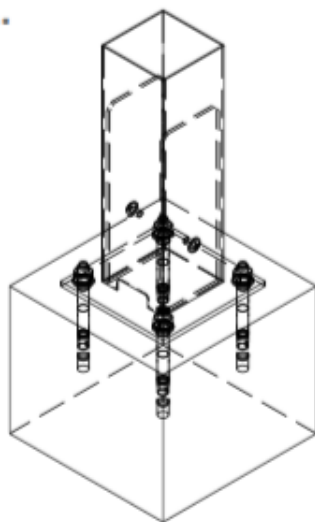




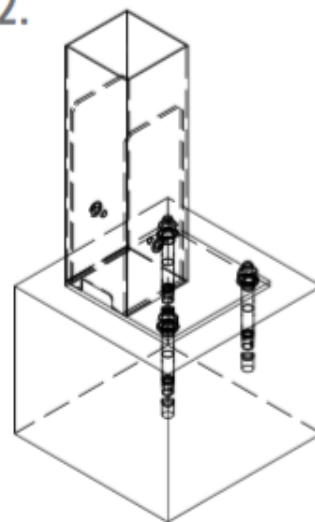


# OPTIONAL FOOT MOUNTING

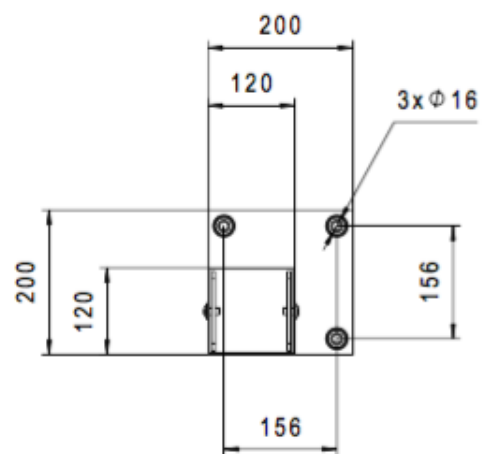
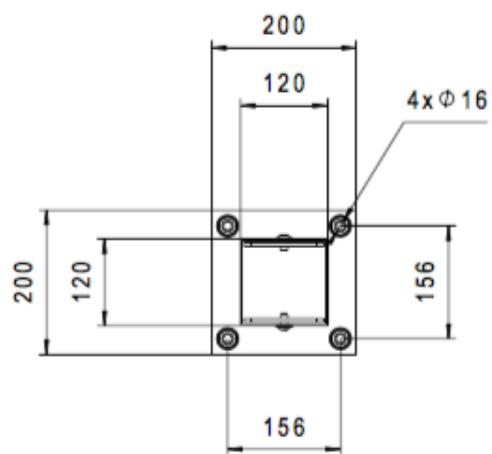
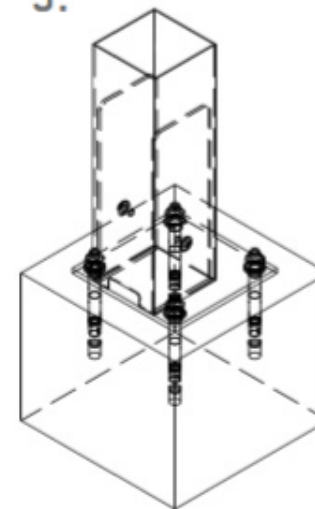
1.



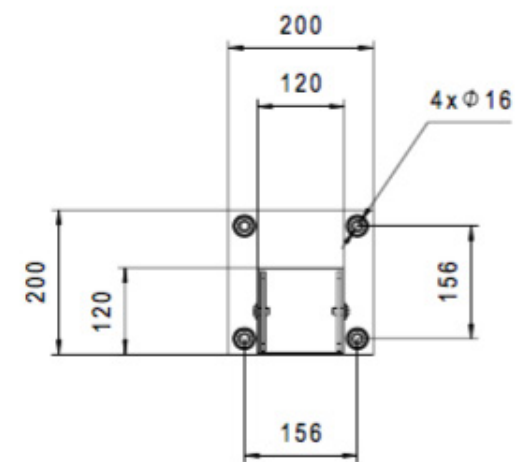
2.

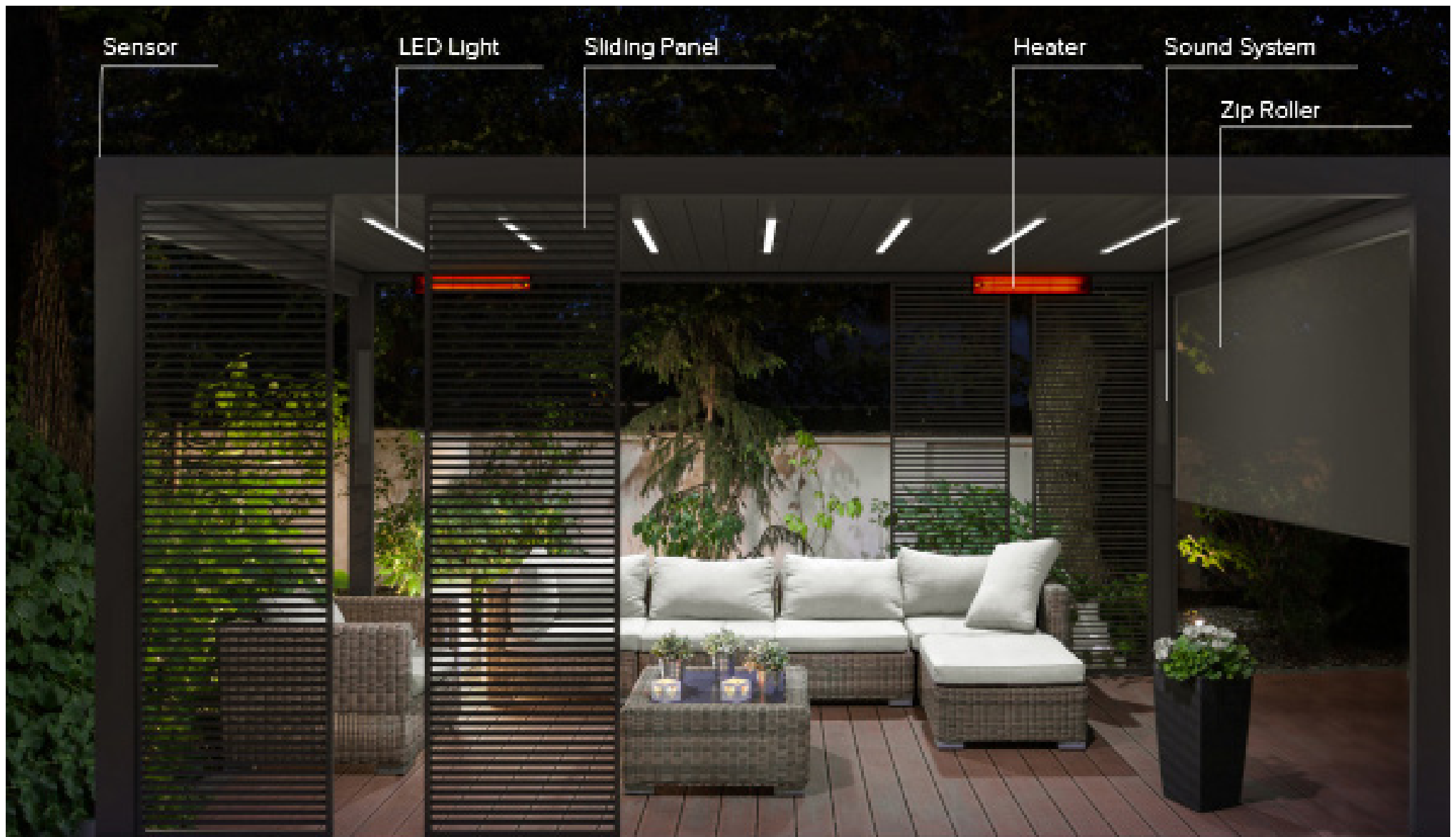


3.



200









Unit 7 Mitcham Industrial Estate  
Streatham Road  
Mitcham  
CR4 2AP

+44 (0)20 8877 3030 | [breezefree.com](https://www.breezefree.com)