



PERGOLAS | eva

 breezefree

PERGOLAS | *eva*

PERGOLAS | *eva*

- 4 Gallery
- 6 Details
- 8 Standard Swatches
- 9 Integrated LED Lighting

PERGOLAS | eva

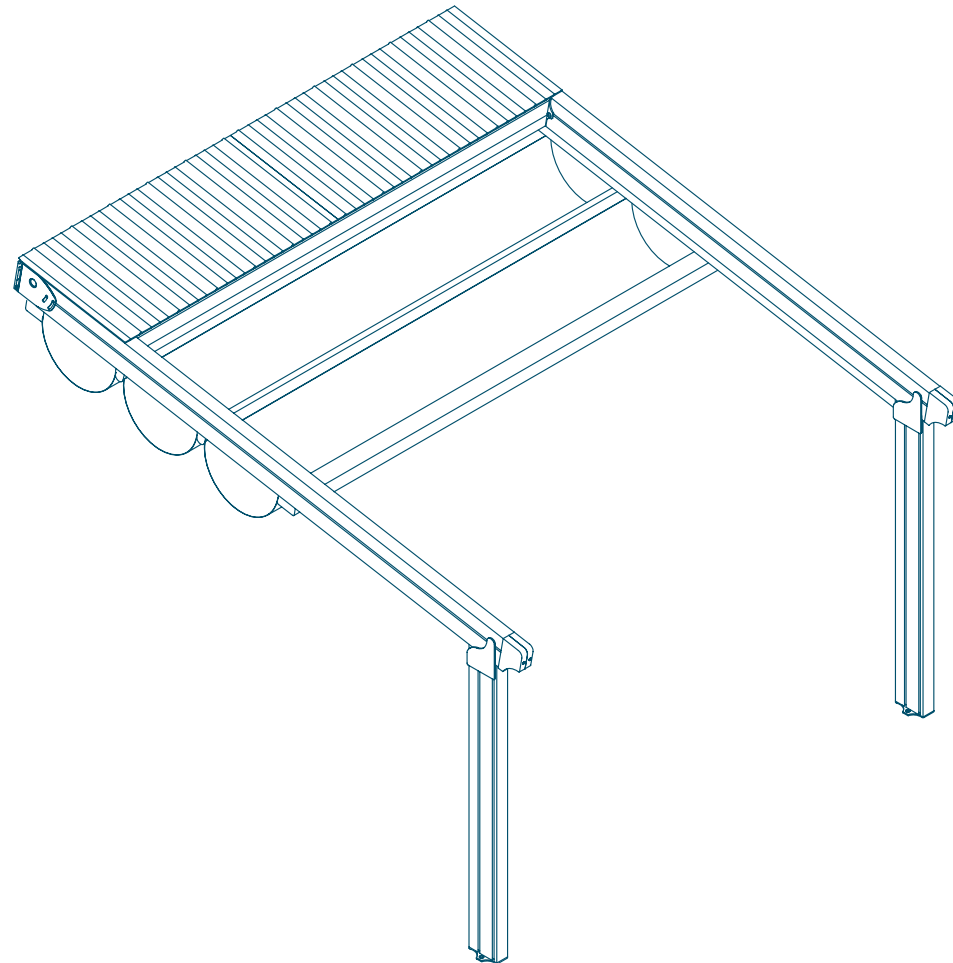


PERGOLAS | *eva*



Eva Pergolas provide an elegant outdoor covering to allow outdoor areas to be used in even the worst of weather conditions. The system offers a wind rating up to Beaufort class 11 (up to 117km/h) and is designed to stand up to even the worst of conditions rain, hail or shine.

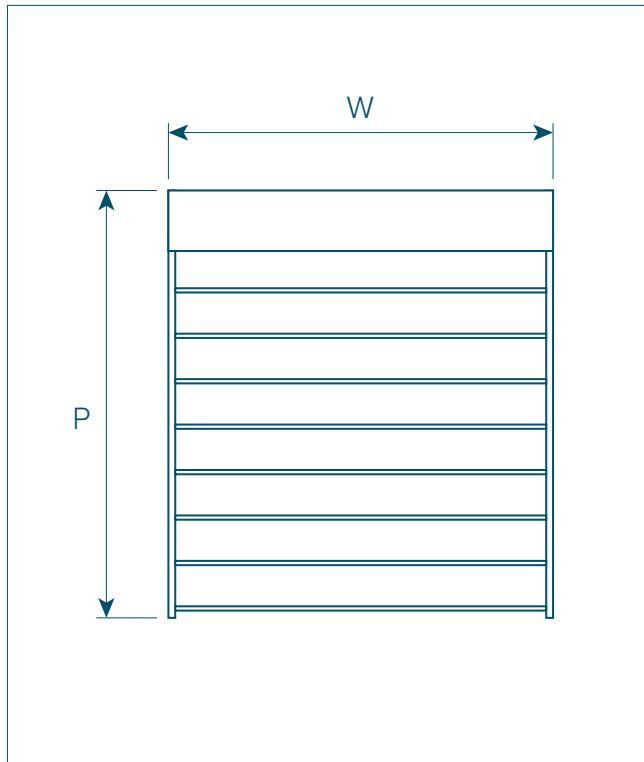
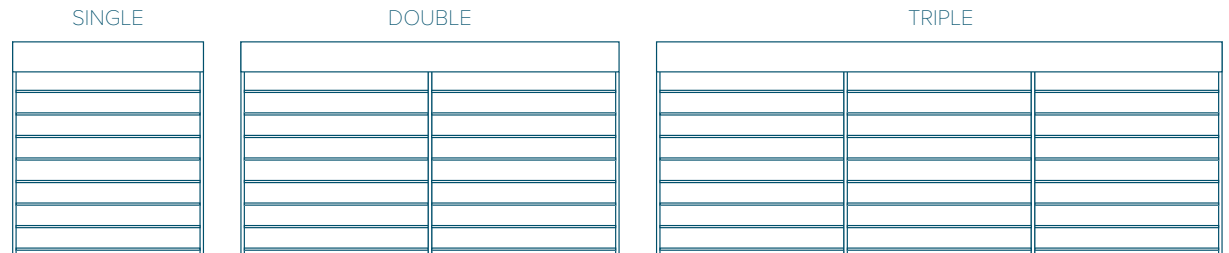
Its no-frills design makes the Eva one of our most cost-effective pergolas.



| | | |
|---------------|--------------------|------|
| SINGLE MODULE | Max Width (W) | 4.5m |
| | Max Projection (P) | 6m |

| | | |
|---------------|--------------------|----|
| DOUBLE MODULE | Max Width (W) | 9m |
| | Max Projection (P) | 6m |

| | | |
|---------------|--------------------|-----|
| TRIPLE MODULE | Max Width (W) | 13m |
| | Max Projection (P) | 6m |



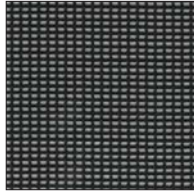
Extras



TRANSPARENT COVER SWITCHES



WHITE

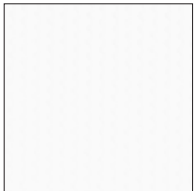


BLACK

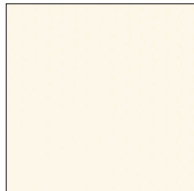
Don't see the colour you want? Please contact our team and we'll do our best to find a match.

Please note: colours shown are indicative only. For an exact match, please contact Breezefree and request a physical sample.

OPAQUE COVER SWITCHES



WHITE



CREAM

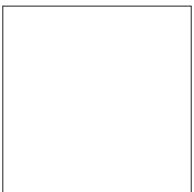


CAPPUCCINO



GREY

STANDARD ALUMINIUM FRAME SWITCHES



RAL 9016



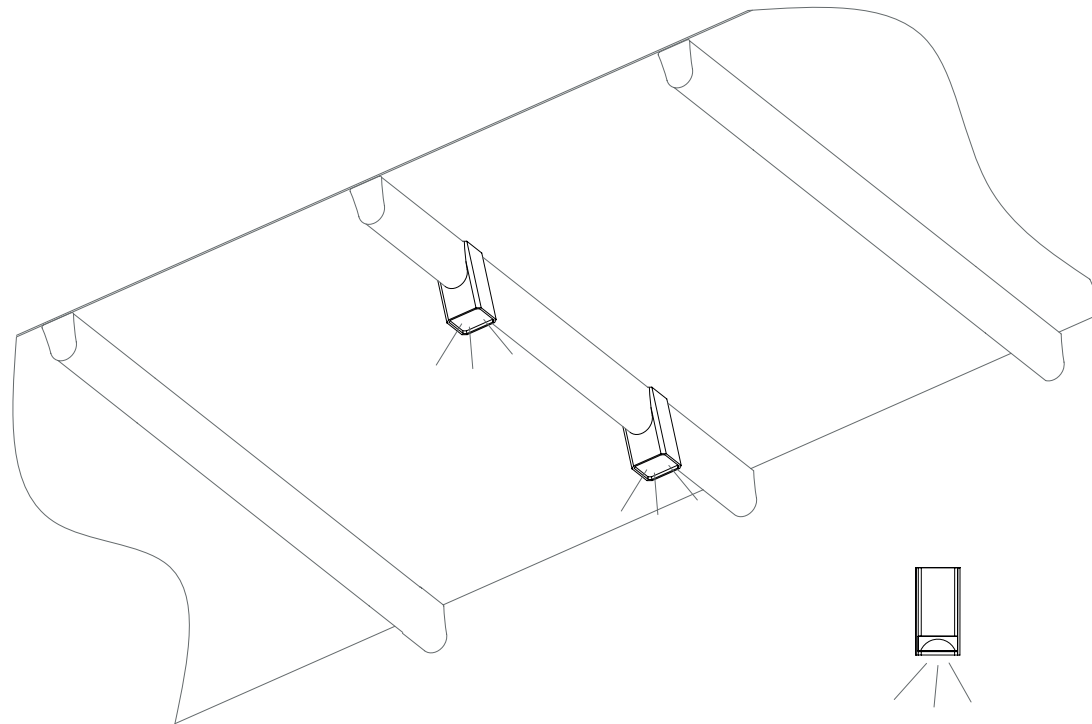
RAL 9006



RAL 7016



RAL 9005



*OPTIONAL



Unit 7 Mitcham Industrial Estate
Streatham Road
Mitcham
CR4 2AP

+44 (0)20 8877 3030 | breezefree.com