

PANORA VIEW

 breezefree

VERSATILITY + ELEGANCE IN MOTION

PANORA VIEW

A unique collection of innovative large format sash windows and doors that bring unparalleled panoramic views and space-saving benefits to virtually any location.

With sizes up to 5m wide by 4.5m high, **Panora View** is a practical and elegant alternative to conventional side-opening fenestration, such as Bi-Fold, or Sliding doors. The sash design ensures superior daylighting, with uninterrupted views at eye-level, and maximises the available floor space as no stacking or folding areas are necessary.

Features include full motorisation, top or bottom opening, minimal framing, and a choice of frames in an anodised finish or any RAL colour.



PANORA VIEW



PANORA VIEW



PANORA VIEW



PANORA VIEW



PANORA VIEW



PANORA VIEW

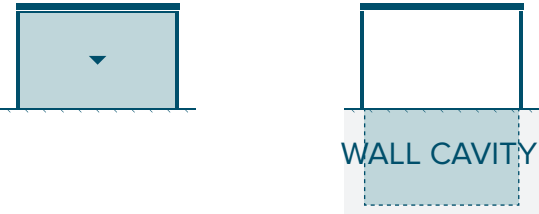


PANORA VIEW



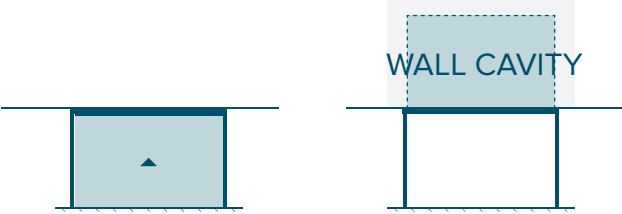


WINDOW 01
100% OPENING




WALL CAVITY

DOOR 01
100% OPENING




WALL CAVITY


WINDOW 02
50% OPENING




DOOR 02
50% OPENING




WINDOW 03
66% OPENING




DOOR 03
66% OPENING



WINDOW 04
75% OPENING



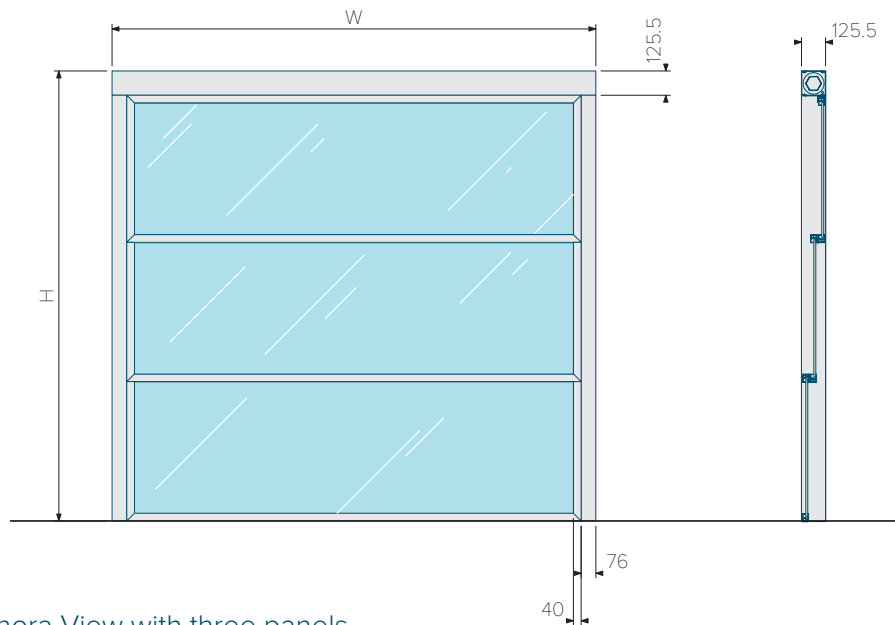
DOOR 04
75% OPENING



The **Panora View Light** is our most cost-effective system.

It is ideal for projects where thermal insulation is not a priority and cost is of primary importance. The frame is designed to accept single or double glazing up to 20mm.

Panora View Light is available as a door or window.



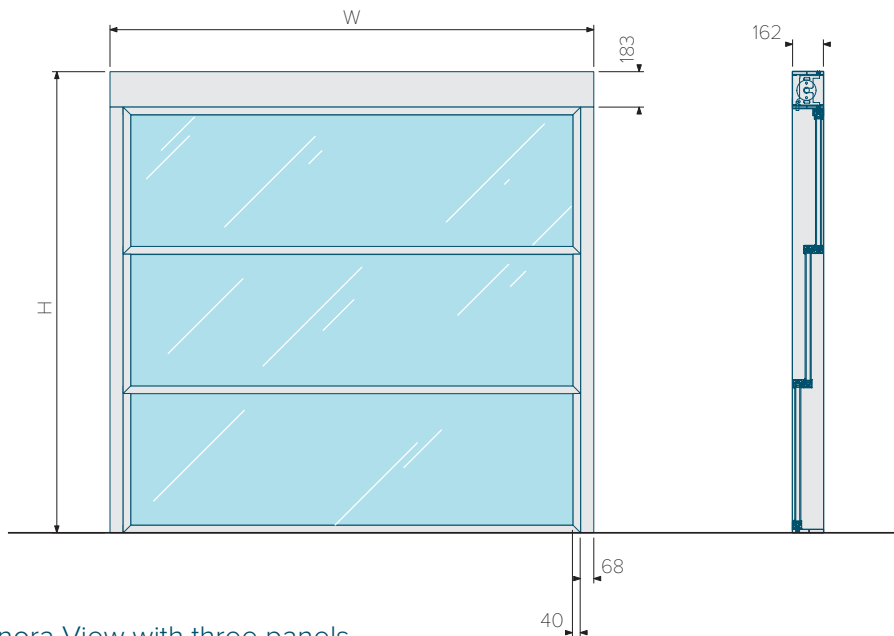
Panora View with three panels

| | |
|---|--|
| Thermally broken profile | Not available |
| Glazing | Standard 8mm tempered clear. Optional double glazing. |
| Balustrade and horizontal frame support | Optional |
| Max operable glazed frame weight | 180kg |
| Maximum height | 3m |
| Maximum width | 4m (minimum width 1.2m) |
| Maximum size | 12m ² |
| Number of glass panels | Up to four |
| Surface finish | Polyester powder coating (any RAL). Optional anodising. |
| Motor type | 220V 50/60Hz Tubular Motor 120Nm Direct Drive |
| Control system | Hold-to-run switch. Optional photo electric safety sensing. |
| Maximum Thermal Insulation U-value | 2.1 U-value |

Ideal for projects where thermal insulation is of importance.

Panora View Pure systems are fabricated with thermally broken profiles, motor box and window frames to provide excellent insulation. The system is able to reach 1.6 U-value with glass that has 1.1 U-value.

Panora View Pure is available as a door or window.



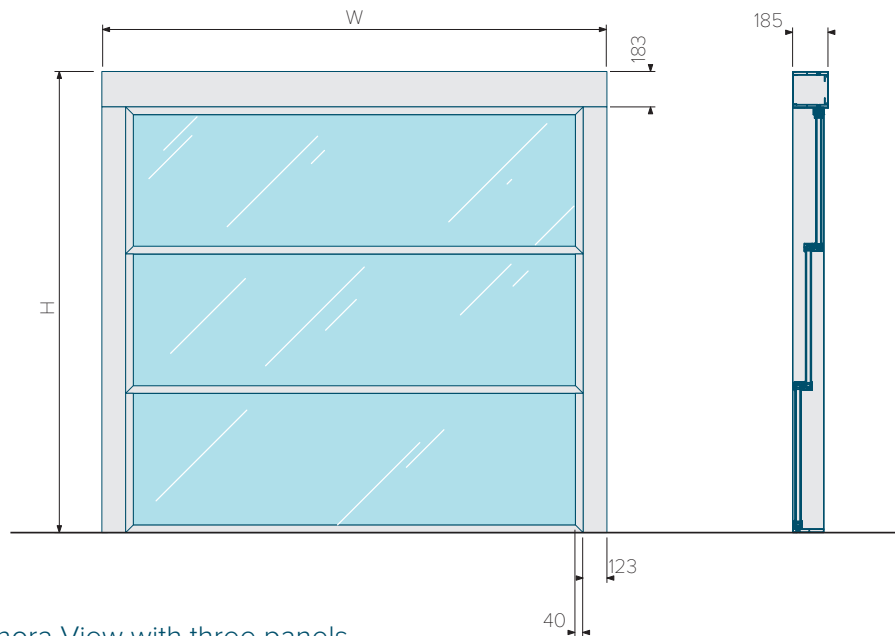
Panora View with three panels

| | |
|---|--|
| Thermally broken profile | All models |
| Glazing | Double glazing |
| Balustrade and horizontal frame support | Optional |
| Max operable glazed frame weight | 220kg |
| Maximum height | 4m |
| Maximum width | 4m (minimum width 1.5m) |
| Maximum size | 12m ² |
| Number of glass panels | Up to four |
| Surface finish | Polyester powder coating (any RAL). Optional anodising. |
| Motor type | 220 VAC 50/60Hz Geared Tubular Motor 120Nm, Gear Drive |
| Control system | Hold-to-run switch. Optional photo electric safety sensing. |
| Maximum Thermal Insulation U-value | 1.6 U-value |

Ideal for larger sites where thermal insulation is of importance.

Panora View Grand systems are fabricated with thermally broken profiles motor box and window frames to provide excellent insulation. The system is able to reach 1.6 U-value rates with glass that has 1.1 U-value.

Panora View Grand is available as a door or window.



| | |
|---|--|
| Thermally broken profile | All models |
| Glazing | Double glazing |
| Balustrade and horizontal frame support | Optional |
| Max operable glazed frame weight | 550kg |
| Maximum height | 5m |
| Maximum width | 5m (minimum width 1.5m) |
| Maximum size | 25m ² |
| Number of glass panels | Up to four |
| Surface finish | Polyester powder coating (any RAL). Optional anodising. |
| Motor type | 220VAC feed, 3phase 0.55 motor, Screw Drive System |
| Control system | Hold-to-run switch. Optional photo electric safety sensing. |
| Maximum Thermal Insulation U-value | 1.6 U-value |



Unit 7 Mitcham Industrial Estate
Streatham Road
Mitcham
CR4 2AP

+44 (0)20 8877 3030 | breezefree.com